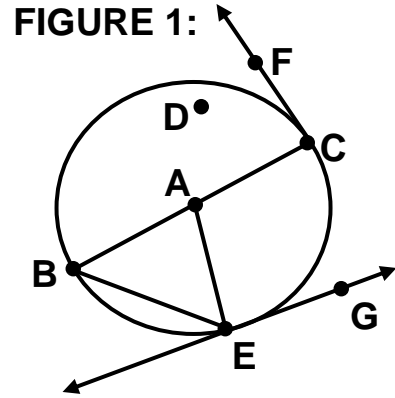


NAME _____ DATE _____ PER. _____

LINES THAT INTERSECT CIRCLES

Use FIGURE 1 to name each of the following.

1. _____	The center.		
2. _____	All radii.		
3. _____	All chords.		
4. _____	The diameter.		
5. _____	All interior points.	7. _____	All tangents.
6. _____	All exterior points.	8. _____	All points of tangency.



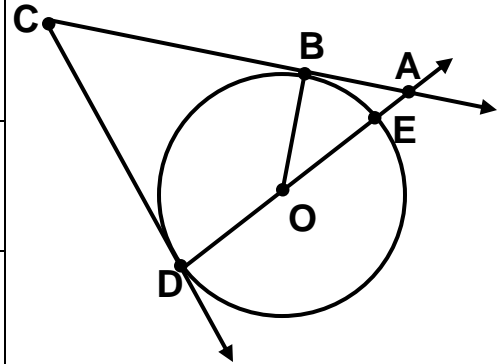
Find the value of 'x' in each of the following.

9. _____	
10. _____	
11. _____	

<p>12. _____</p>	
------------------	--

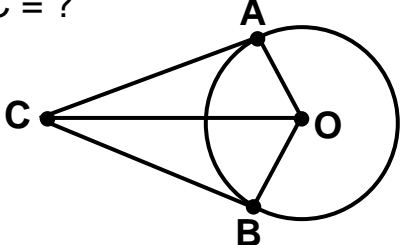
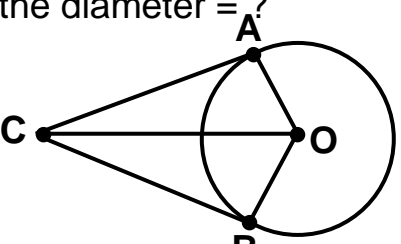
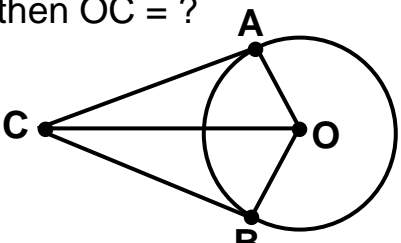
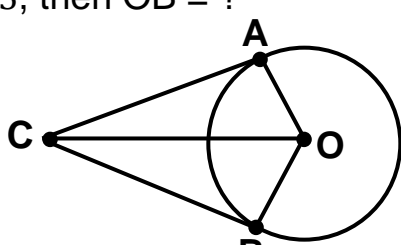
\overline{AB} and \overline{CD} are tangents of circle O. Find each of the following.

<p>13. _____</p>	<p>If $OB = 6$ and $AB = 8$, then $EA = ?$</p>
<p>14. _____</p>	<p>If $DE = 16$ and $EA = 9$, then $BA = ?$</p>
<p>15. _____</p>	<p>$m\angle ABO = ?$</p>
<p>16. _____</p>	<p>$m\angle ODC = ?$</p>
<p>17. _____</p>	<p>If $m\angle DOB = 120^\circ$, then $m\angle EAB = ?$</p>

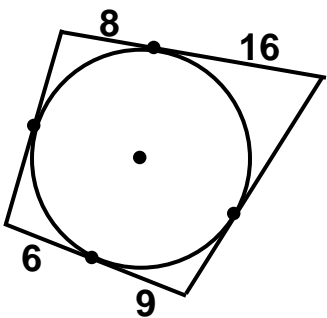


In each of the following figures below, \overline{CB} and \overline{CA} are tangent to circle O at B and A respectively. Find the indicated measures.

<p>18. $AC =$ _____</p>	<p>If $OC = 15$ and $OB = 9$, then $AC = ?$</p> <div style="text-align: right; margin-top: 20px;"> </div>
<p>19. $OA =$ _____</p>	<p>If $OC = 6$ and $BC = 3\sqrt{3}$, then $OA = ?$</p> <div style="text-align: right; margin-top: 20px;"> </div>

<p>20. $OC =$ _____</p>	<p>If $AO = 6$ and $BC = 8$, then $OC = ?$</p> 
<p>21. $d =$ _____</p>	<p>If $OC = 15$ and $BC = 12$, then the diameter $= ?$</p> 
<p>22. $OC =$ _____</p>	<p>If $m\angle OCB = 30^\circ$ and $OB = 4$, then $OC = ?$</p> 
<p>23. $OB =$ _____</p>	<p>If $m\angle COB = 60^\circ$ and $CB = 6\sqrt{3}$, then $OB = ?$</p> 

In each diagram, a polygon circumscribes a circle. Find the perimeter.

<p>24. $P =$ _____</p>	
<p>25. $P =$ _____</p>	